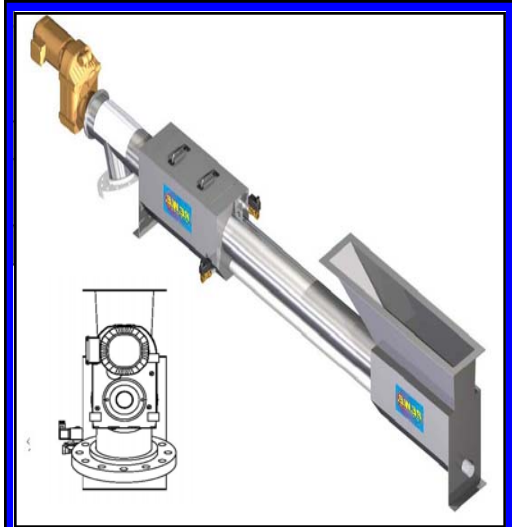




# DeWater™ CSP Compactor Screw Press



**DeWater™ CSP-150**

**PEWE DeWater™ CSP Systems:**

The PEWE DeWater™ CSP Compactor Screw Press consists of an auger screw assembly, transport tube, drainage section, press section and mechanical drive system. The CSP will be supplied with a flanged inlet, flanged solids discharge and a drainage fitting. The CSP is designed to extract moisture from wet solids. The unit will utilize a screw to transport and compress the solids and allow the liquid to drain off.

**DeWater™ CSP Design:**

The PEWE DeWater™ CSP features a perforated inlet trough plate that allows for free drainage. The enclosed screw assembly will consist of a shaftless spiral with a fitted brush and is direct coupled a gear motor. The press zone shall consist of a cylindrical wedgewire insert, shower manifold and access doors. The CSP unit comes with support posts and base plates. The CSP may be ordered with a PEWE **Command Control RX** panel.

**DeWater™ CSP Operation:**

The PEWE DeWater™ CSP Compactor Screw Press receives influent through the flanged inlet hopper and the incoming stream is accepted into the drainage section where free liquid is allowed to pass through a drainage fitting and removed for further processing.

Solids are then conveyed by the auger screw through the transport tube towards the press section. Prior to the press zone the conveyed solids are washed. The solids are then compacted in the press zone. The liquid removed via the pressing action is collected and combined with the free water from the drainage section and can be directed to drain or further processing.

## Compactor Screw Press ..... High & Dry Solids

- BAKERY
- BREWERY
- FOOD PROCESS
- MEAT
- MUNICIPAL
- PETROCHEM
- POULTRY
- PULP & PAPER
- SEAFOOD
- VEGETABLE
- WINERY
- WASTEWATER

Application	Municipal			Flow	Capacity	
Model	Auger inches	Diameter mm	Shaft inches	Diameter mm	Yds <sup>3</sup>	M <sup>3</sup>
CSP-150	5.5	140	6.0	152	1.0	0.76
CSP-200	7.5	190	8.0	203	2.0	1.53
CSP-250	8.5	216	10.0	254	3.0	2.30
CSP-300	11.5	292	12.0	305	6.0	4.58
CSP-400	14.5	368	16.0	406	12.0	9.20

This chart to be used as a guide only. Consult your PEWE representative.

